

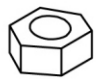
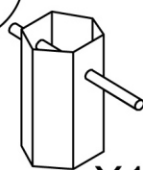


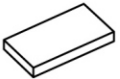
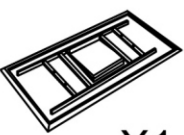

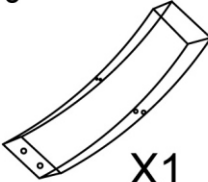
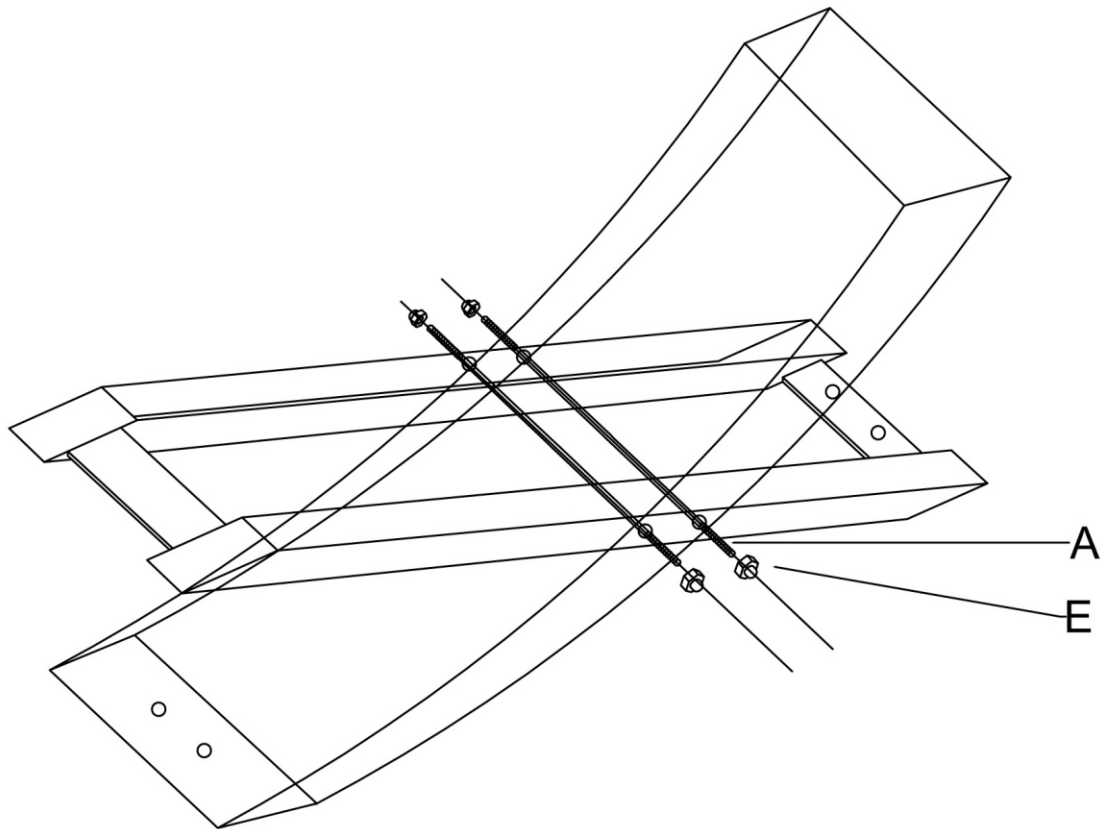


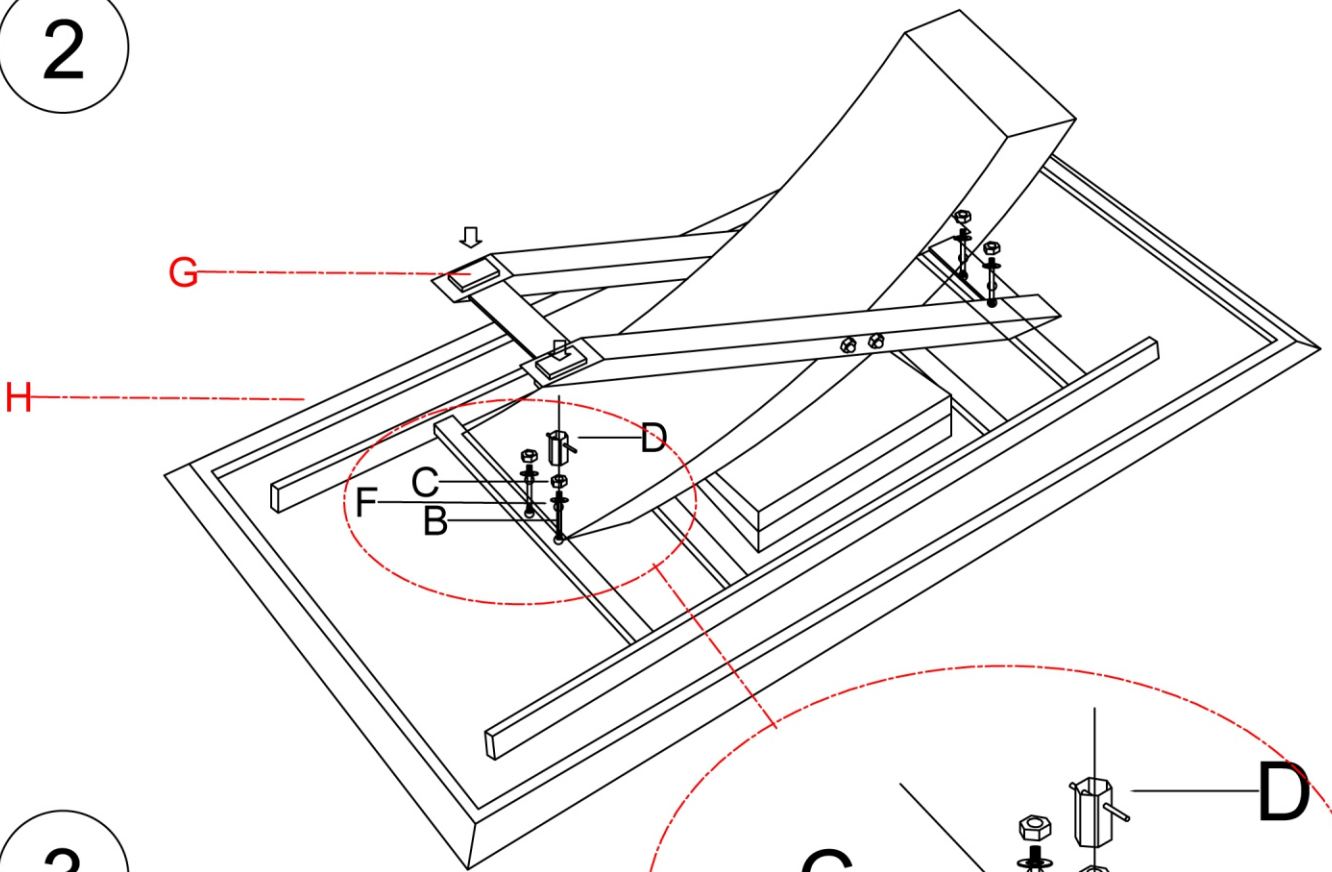
KROS

A  X4	B  X4	C  X4	D  X1	E  X4	F  X4	G  X2
H  X1	I  X1	J  X1				

1



2



3

